

### APPLICATION

Single impeller centrifugal pumps suitable to cover any small, medium or large capacity request; for domestic, agricultural and industrial purposes; with automatic water distribution

through small and medium sized tanks; for sprinkler and flood irrigation systems in gardening and agriculture; to increase in derivation system pressure in aqueducts.

### MATERIALS

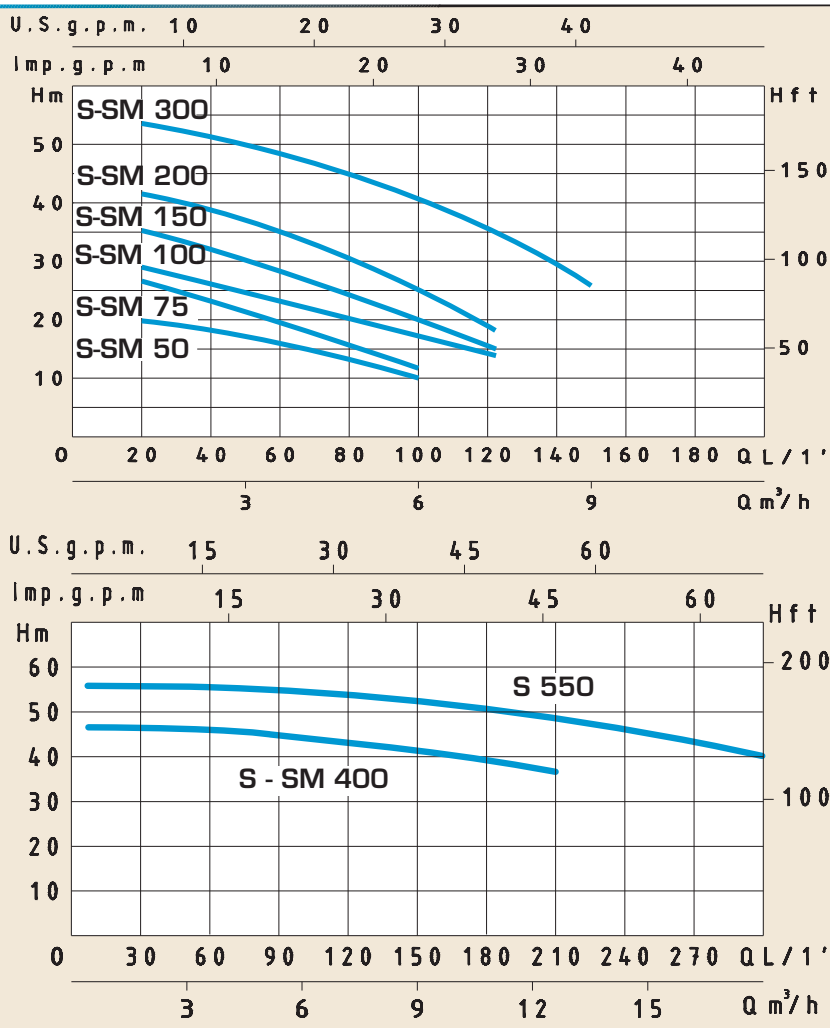
- Pump body Cast Iron
- Motor Support Cast Iron (S-SM100-150-200-300-400-550)
- Motor Support Aluminium (S-SM50-75)
- Impeller Noryl (S-SM50-75)
- Impeller Stainless Steel (S-SM100)
- Impeller Brass (S-SM150-200-300)
- Shaft with rotor Stainless Steel
- Mechanical seal Carbon/Ceramic
- Mechanical seal Carbon/Graphite (S-SM 400-550)

### OPERATING CONDITIONS

- Liquid temperature up to 60°C
- Ambient temperature up to 40°C
- Total suction lift up to 7 mt.
- Continuous duty

### MOTOR

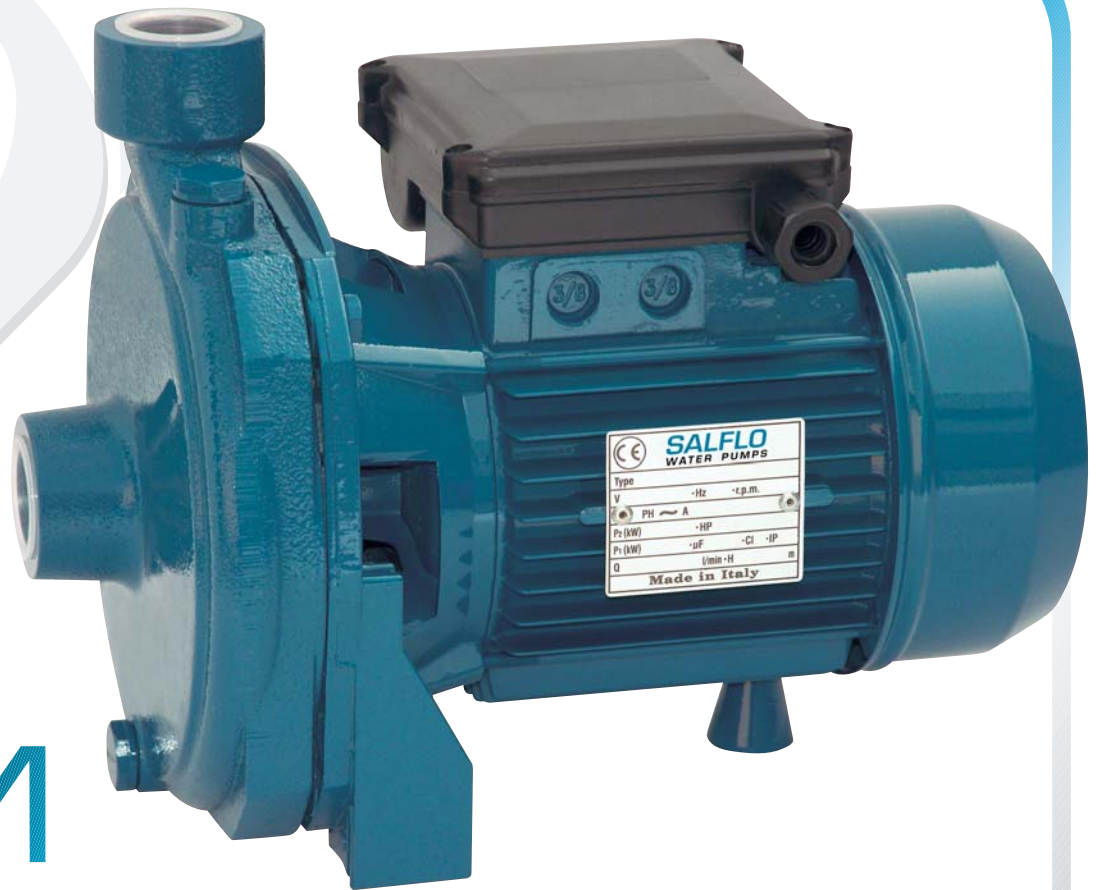
- Two-Pole induction motor (n = 2850 min<sup>-1</sup>)
- Insulation Class F
- Protection IP 44



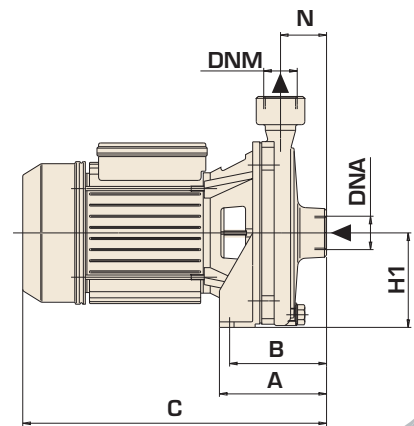
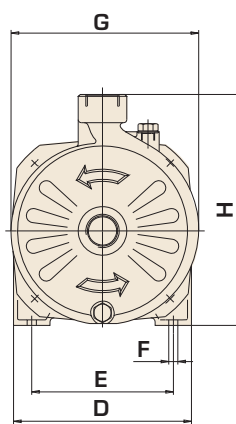
### TECHNICAL DATA

TYPE		NOMINAL POWER P2		INPUT POWER P1	AMPERE		Q = CAPACITY										
Single-phase	Three-phase	HP	kW	kW	Single-phase	Three-phase	m³/h	0,6	1,2	2,7	3,6	5,4	6	7,5	9	12	18
					1 x 230V	3 x 400V	lt./1'	10	20	45	60	90	100	125	150	200	300
230V-50Hz	230/400V-50Hz						Total head in meters w.c.										
<b>SM 50</b>	<b>S 50</b>	0,5	0,37	0,65	2,8	1,2	20	18	17	16	12	10					
<b>SM 75</b>	<b>S 75</b>	0,75	0,55	0,9	4	1,7	27	25	20	18	14	12					
<b>SM 100</b>	<b>S 100</b>	1	0,75	1,2	5,5	2,3	29	28	26	23	20	18	14				
<b>SM 150</b>	<b>S 150</b>	1,5	1,1	1,6	7,5	3,1	36	33	30	28	24	22	15				
<b>SM 200</b>	<b>S 200</b>	2	1,5	2	9,3	4,2	43	42	37	35	27	25	18				
<b>SM 300</b>	<b>S 300</b>	3	2,2	3,3	14,5	5,9	54	53	50	48	45	42	36	26			
<b>SM 400</b>	<b>S 400</b>	4	3	4,6	21	7,6	47	46	45	44	43,5	43	42	41	38		
	<b>S 550</b>	5,5	4	5,2		9,6	57	56	55,5	55	54,5	54	53	52	50	40	

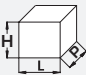
# SINGLE IMPELLER CENTRIFUGAL PUMPS



# SM



## DIMENSIONS AND WEIGHTS

TYPE		DIMENSIONS mm												DIMENSIONS mm 			Weight
Single-phase	Three-phase	A	B	C	D	E	F	G	H	H1	N	DNA	DNM	P	L	H	Kg
SM 50	S 50	100	90	260	162	126	9	164	205	83	47	1"	1"	180	300	250	8
SM 75	S 75	108	98	300	176	140	9	186	229	94	50	1"	1"	195	340	250	9,2
SM 100	S 100	108	98	300	176	140	9	186	229	94	50	1"	1"	195	340	250	11,8
SM 150	S 150	138	118	365	215	175	12	222	305	125	48	1 1/4"	1"	195	340	250	22,6
SM 200	S 200	138	118	365	215	175	12	222	305	125	48	1 1/4"	1"	240	390	360	23,2
SM 300	S 300	138	118	415	215	175	12	222	305	125	48	1 1/4"	1"	240	440	360	27
SM 400	S 400	120	108	425	240	190	12	250	323	133	58	2"	1 1/4"	270	440	360	40
	S 550	120	108	425	240	190	12	250	323	133	58	2"	1 1/4"	270	440	360	42