

APPLICATION

Volumetric water pumps able to offer high pressures in relation to comparatively low powers and which have particularly steady operating curves. They are qualified in domestic fittings, to increase the system pressure in

aqueducts and for automatic water distribution by small autoclave tanks or by hydrosphere units. For the correct functioning of the pump, use clean water, or non-aggressive liquids only, without sand or other solid impurities.

MATERIALS

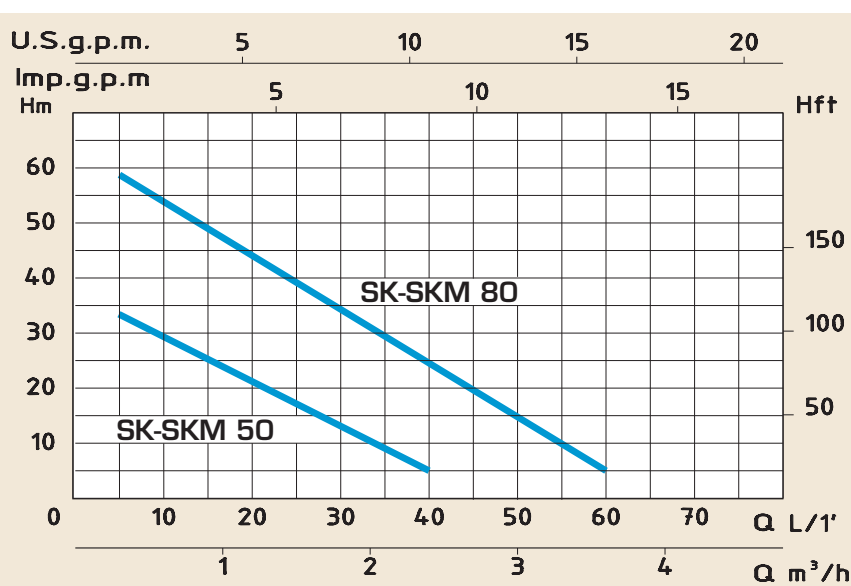
- Pump body Cast Iron
- Motor Support Cast Iron
- Impeller Brass
- Shaft with rotor Stainless/Steel
- Mechanical seal Carbon/Ceramic

OPERATING CONDITIONS

- Liquid temperature up to 60°C
- Ambient temperature up to 40°C
- Total suction lift up to 7 mt.
- Continuous duty

MOTOR

- Two-Pole induction motor (n = 2850 r.p.m.)
- Insulation Class F
- Protection IP 44



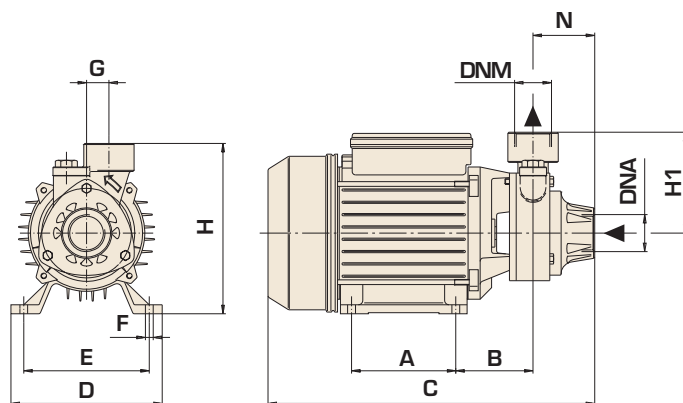
TECHNICAL DATA

TYPE		NOMINAL POWER P2		INPUT POWER P1	AMPERE		Q = CAPACITY										
Single-phase	Three-phase	HP	kW	kW	Single-phase	Three-phase	Total head in meters w.c.										
							0,3	0,6	1	1,2	1,5	1,8	2,1	2,4	3	3,6	
230V-50Hz	230/400V-50Hz				1 x 230V	3 x 400V	m³/h	5	10	16	20	25	30	35	40	50	60
SKM 50	SK 50	0,5	0,37	0,55	2,9	1,3	H	34	30	25	22	17	13	10			
SKM 80	SK 80	0,8	0,7	0,9	3,8	1,9	(m)	59	55	50	45	40	35	30	25	15	

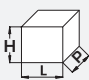
VOLUMETRIC PUMPS



SKM



DIMENSIONS AND WEIGHTS

TYPE		DIMENSIONS mm											DIMENSIONS mm 			Weight	
Single-phase	Three-phase	A	B	C	D	E	F	G	H	H1	N	DNA	DNM	P	L	H	Kg
SKM 50	SK 50	80	65	255	120	100	7	20	144	81	50	1"	1"	170	285	170	6,5
SKM 80	SK 80	90	70	295	135	112	7	20	161	90	55	1"	1"	175	325	190	9,2