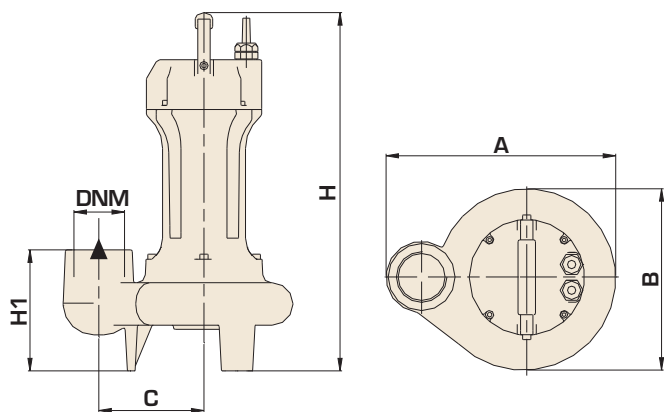
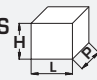


SUBMERSIBLE ELECTRIC PUMP WITH VORTEX IMPELLER

# SCM-VS



TYPE	DIMENSIONS mm						DIMENSIONS mm 			Weight Kg
	A	B	C	H	H1	DNM	P	L	H	
Single-phase										
<b>SCM 100 VS</b>	278	218	126	430	145	2"	230	300	490	20

### APPLICATION

Submersible drainage pumps with plunged back impeller Vortex type. Suitable in civil and industrial water

systems, for cesspool drainage with slightly dirty or foamy liquids, for oily waters cleaned by grid.

### MATERIALS

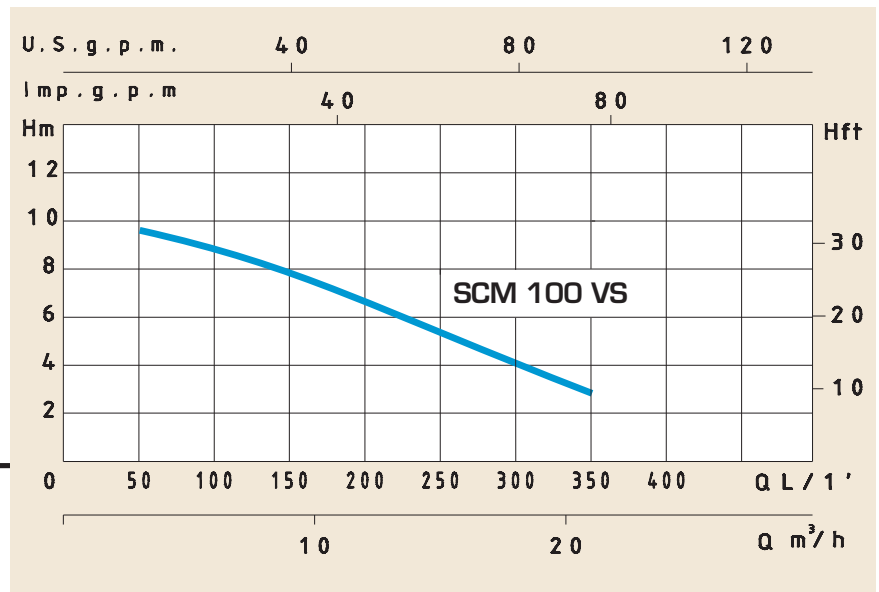
- Motor body                      Cast Iron
- Pump body                        Cast Iron
- Impeller                            Cast Iron
- Shaft with rotor                Stainless Steel
- Mechanical seal                Ceramic/Graphite (on request Silicon/Silicon)

### OPERATING CONDITIONS

- Liquid temperature up to 35°C
- Submersion depth 20 mt.
- Grain size inlet Ø 30 mm
- Min. suction level 100 mm
- Continuous duty

### MOTOR

- Insulation Class F
- Protection IP 68
- Thermic protection



TYPE	NOMINAL POWER		INPUT POWER	AMPERE	Q = CAPACITY												
	P2	P1			Single-phase												
230V-50Hz	HP	kW	kW	1 x 230V	Total head in meters w.c.												
SCM 100 VS	1	0,75	1,1	4,8	H (m)	9,5	9	8	6,5	5	4	3					