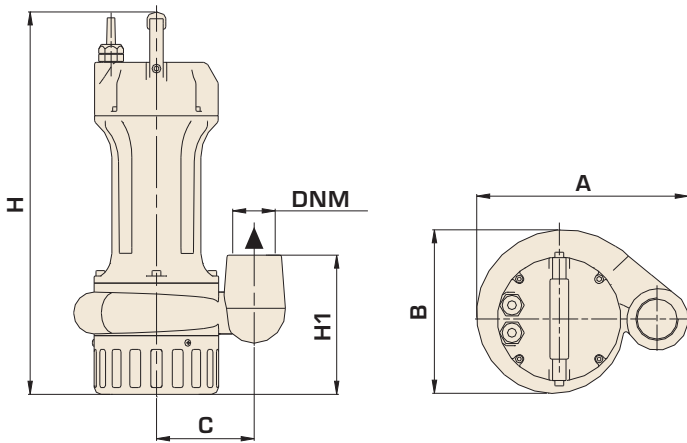
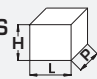


SUBMERSIBLE ELECTRIC PUMP FOR DRAINAGE

# SCM-DS



TYPE	DIMENSIONS mm						DIMENSIONS mm 			Weight Kg
	A	B	C	H	H1	DNM	P	L	H	
Single-phase	A	B	C	H	H1	DNM	P	L	H	Kg
<b>SCM 100 DS</b>	238	184	110	440	157	1" 1/2	200	260	500	18

## APPLICATION

Submersible drainage pumps with plunged open impeller with grid. Suitable for clean waters, even with

small suspended solids, for drainage of flowing and collection rain waters.

## MATERIALS

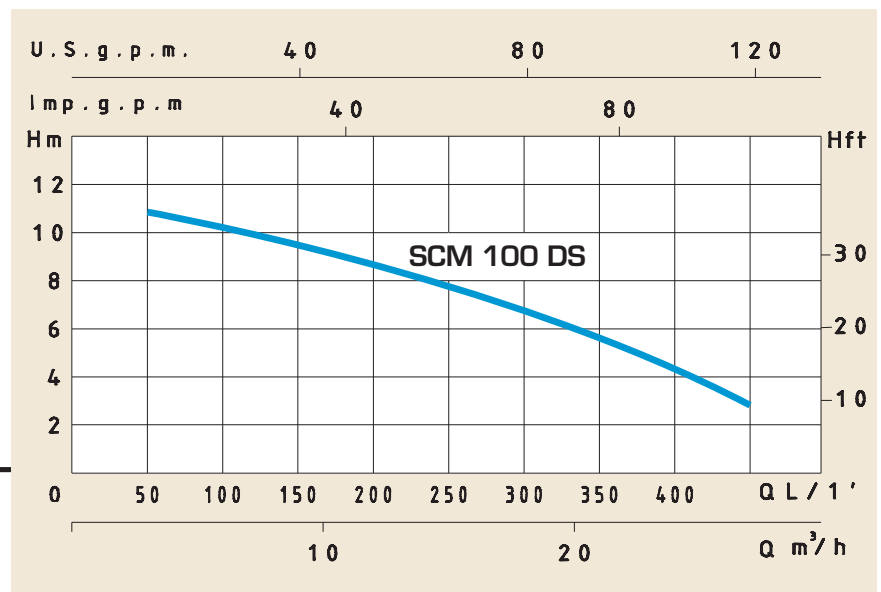
- Motor body                      Cast Iron
- Pump body                      Cast Iron
- Impeller                         Cast Iron
- Shaft with rotor                Stainless Steel
- Suction strainer                Stainless Steel
- Mechanical seal                Ceramic/Graphite (on request Silicon/Silicon)

## OPERATING CONDITIONS

- Liquid temperature up to 35°C
- Submersion depth 20 mt.
- Grain size inlet Ø 10 mm
- Min. suction level 100 mm
- Continuous duty

## MOTOR

- Insulation Class F
- Protection IP 68
- Thermic protection



## TECHNICAL DATA

TYPE	NOMINAL POWER P2		INPUT POWER P1	AMPERE	Q = CAPACITY												
	HP	kW			kW	Single-phase	m³/h	3	6	9	12	15	18	21	24	27	30
Single-phase						lt/1'	50	100	150	200	250	300	350	400	450	500	
230V-50Hz				1 x 230V	Total head in meters w.c.												
<b>SCM 100 DS</b>	1	0,75	1,1	4,8	H (m)	11	10,5	10	9	8	7	6	4,5	3			