

APPLICATION

Selfpriming jet water pumps with a very high hydraulic performance and a considerable pressure capacity. Able to pump up to mt. 8 depth and

work perfectly even in soda-water. Suitable for water lifting and distribution in domestic fittings by small and medium sized tanks.

MATERIALS

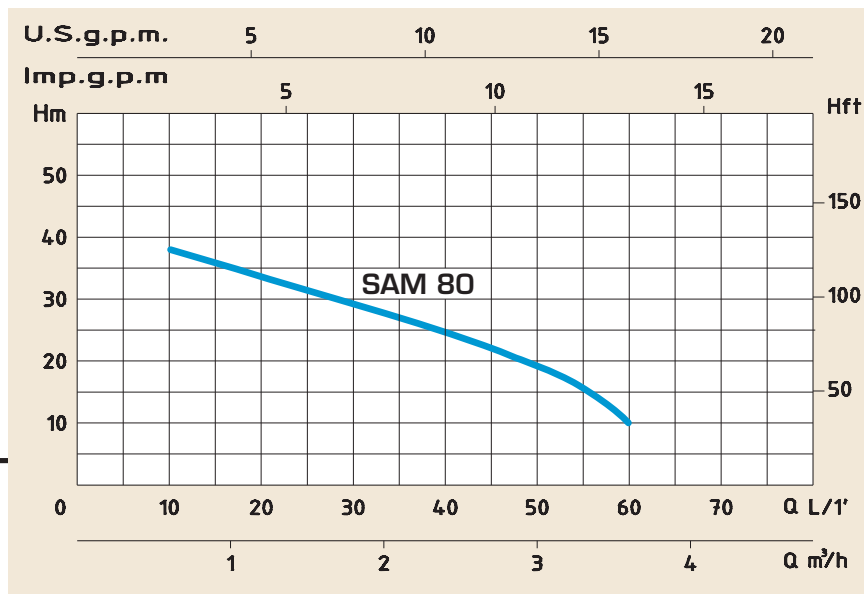
- Pump body Cast Iron
- Motor Support Aluminium
- Impeller Noryl
- Diffuser Noryl
- Pump flange Stainless Steel
- Shaft with rotor Stainless Steel
- Mechanical seal Carbon/Ceramic

OPERATING CONDITIONS

- Max. working pressure 6 bar
- Liquid temperature up to 35°C
- Ambient temperature up to 40°C
- Total suction lift up to 8 mt.
- Continuous duty

MOTOR

- Two-Pole induction motor (n = 2850 min-1)
- Insulation Class F
- Protection IP 44



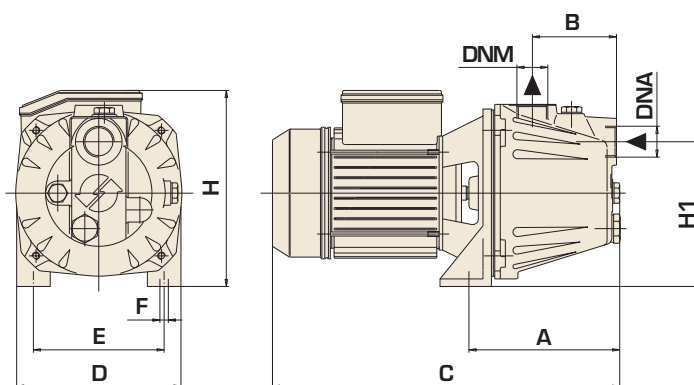
TECHNICAL DATA

TYPE	NOMINAL POWER P2		INPUT POWER P1	AMPERE	Q = CAPACITY										
	HP	kW			kW	Total head in meters w.c.									
Single-phase				Single-phase	m³/h	0,6	0,9	1,2	1,5	1,8	2,1	2,4	2,7	3	3,6
230V-50Hz				1 x 230V	lt./1'	10	15	20	25	30	35	40	45	50	60
SAM 80	0,8	0,6	0,8	3,8	H (m)	38	36	34	32	29	27	25	22	19	

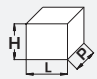
SELFPRIMING PUMPS



SAM



DIMENSIONS AND WEIGHTS

TYPE	DIMENSIONS mm										DIMENSIONS mm 			Weight Kg
	A	B	C	D	E	F	H	H1	DNA	DNM	P	L	H	
Single-phase	A	B	C	D	E	F	H	H1	DNA	DNM	P	L	H	Kg
SAM 80	150	77	328	162	126	9	193	123	1"	1"	180	350	200	9