

APPLICATION

Selfpriming jet water pumps with a very high hydraulic performance and a considerable pressure capacity. Able to pump up to mt.8 depth and work perfectly even in soda-water.

Suitable for water lifting and distribution in domestic fittings by small and medium sized tanks.



MATERIALS

- | | |
|--------------------|-----------------|
| - Pump body | Cast Iron |
| - Motor Support | Aluminium |
| - Impeller | Inox |
| - Diffuser | Noryl |
| - Pump flange | Stainless Steel |
| - Shaft with rotor | Stainless Steel |
| - Mechanical seal | Carbon/Ceramic |

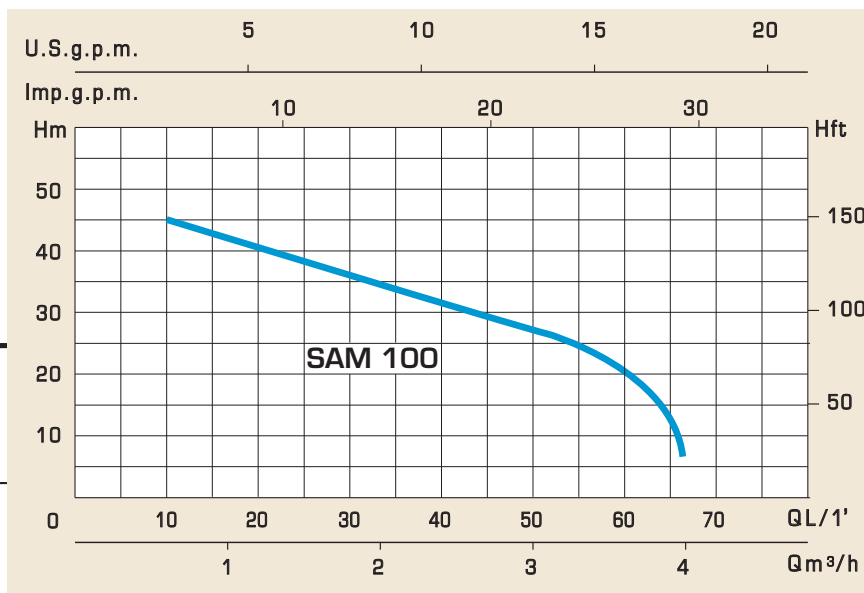
SAM 100/ECO

OPERATING CONDITIONS

- Max. working pressure 8 bar
- Liquid temperature up to 35°C
- Ambient temperature up to 40°C
- Total suction lift up to 8 mt.
- Continuous duty

MOTOR

- Two-Pole induction motor (n = 2850 min-1)
- Insulation Class F
- Protection IP 44



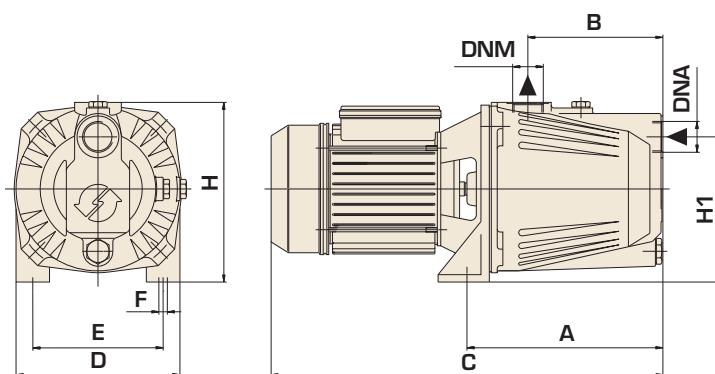
TECHNICAL DATA

TIPO - TYPE	NOMINAL POWER P2		INPUT POWER P1	AMPERE	Q = CAPACITY											
	HP	KW			kW	Single-phase	m³/h	0,6	0,9	1,2	1,5	1,8	2,1	2,4	2,7	3
Single-phase				Single-phase	lt/1'	10	15	20	25	30	35	40	45	50	60	
230V-50Hz	HP	KW	KW	1 x 230V	Total head in meters w.c.											
SAM 100	1	0,75	1,1	5	H (m)	45	43	40	38	35	33	30	29	26	22	


SELFPRIMING JET PUMPS



SAM



DIMENSIONS AND WEIGHTS

TYPE	DIMENSIONS mm										DIMENSIONS mm 			Weight Kg
	A	B	C	D	E	F	H	H1	DNA	DNM	P	L	H	
Single-phase														
SAM 100	211	145	421	176	140	9	194	156	1"	1"	200	450	210	15