

APPLICATION

Selfpriming jet water pumps with a very high hydraulic performance and a considerable pressure capacity. Able to pump up to 8 mt. depth and work

perfectly even in soda-water. Suitable for drinkable water, water lifting and distribution in domestic fittings by small and medium sized tanks.

MATERIALS

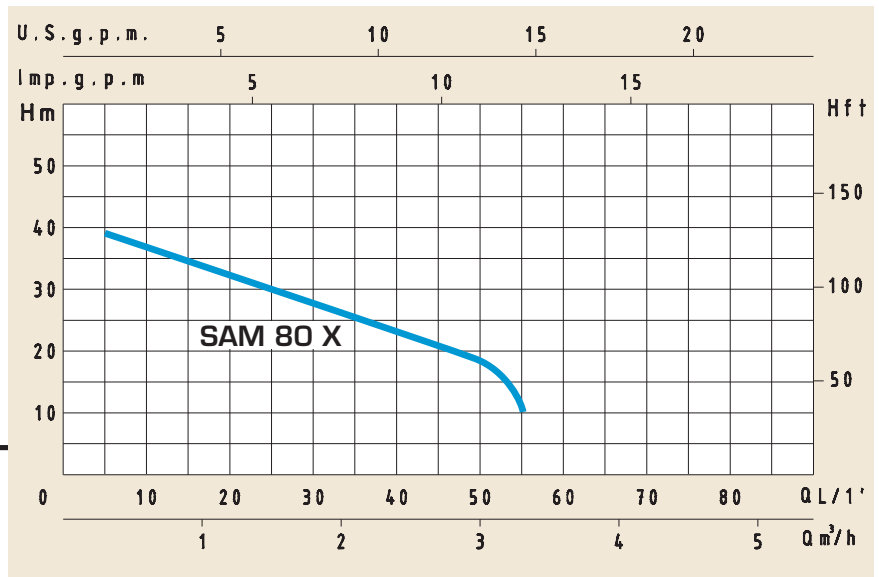
- Pump body Stainless Steel
- Motor Support Aluminium
- Impeller Noryl
- Diffuser Noryl
- Pump flange Stainless Steel
- Shaft with rotor Stainless Steel
- Mechanical seal Carbon/Ceramic

MOTOR

- Two-Pole induction motor (n = 2850 min-1)
- Insulation Class F
- Protection IP 44

OPERATING CONDITIONS

- Max. working pressure 6 bar
- Liquid temperature up to 35°C
- Ambient temperature up to 40°C
- Total suction lift up to 8 mt.
- Continuous duty



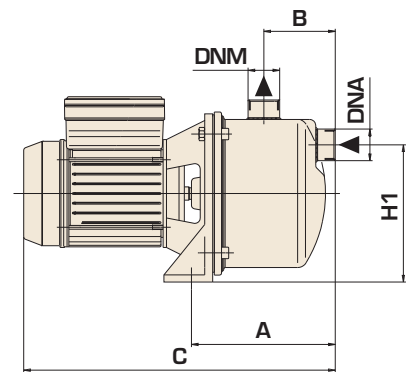
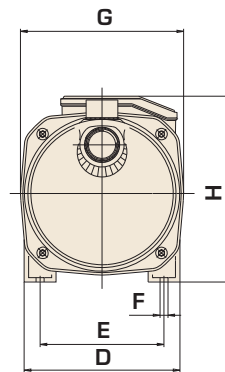
TECHNICAL DATA

TYPE	NOMINAL POWER P2		INPUT POWER P1	AMPERE	Q = CAPACITY											
	HP	KW			Single-phase	m³/h	0,6	0,9	1,2	1,5	1,8	2,1	2,4	2,7	3	4,2
Single-phase					lt/1'	10	15	20	25	30	35	40	45	50	70	
230V-50Hz	HP	KW	KW	1 x 230V	Total head in meters w.c.											
SAM 80 X	0,8	0,6	0,8	3,8	H (m)	38	36	34	32	29	27	24	22	19		

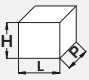
SELFPRIMING JET INOX PUMPS



SAM X



DIMENSIONS AND WEIGHTS

TYPE	DIMENSIONS mm											DIMENSIONS mm 			Weight Kg
	A	B	C	D	E	F	G	H	H1	DNA	DNM	P	L	H	
Single-phase															
SAM 80 X	163	72	320	162	126	9	166	180	123	1"	1"	180	360	200	7