

APPLICATION

Selfpriming jet water pumps with a very high hydraulic performance and a considerable pressure capacity. Able to pump up to mt. 8 depth and work

perfectly even in soda-water. Suitable for drinkable water, water lifting and distribution in domestic fittings by small and medium sized tanks.

MATERIALS

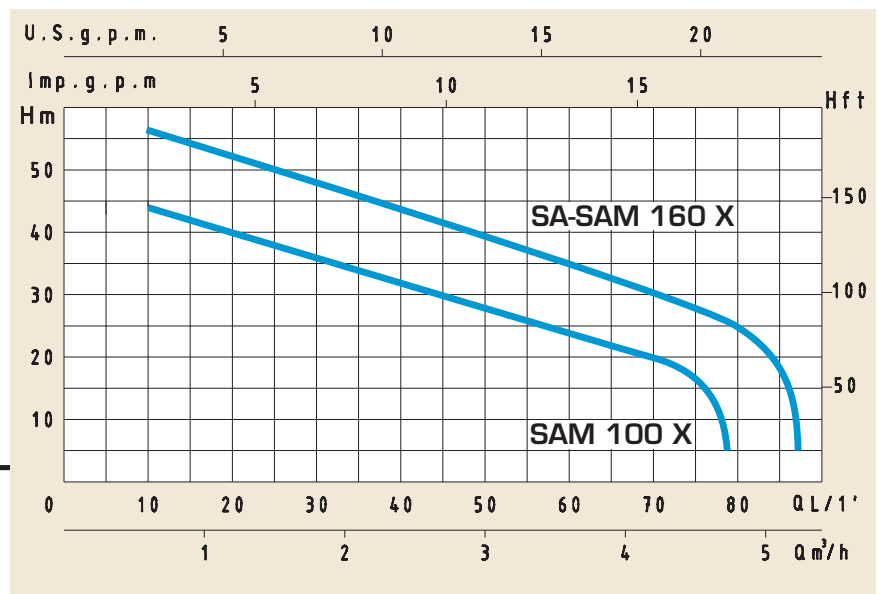
- Pump body Stainless Steel
- Motor Support Aluminium
- Impeller Stainless Steel
- Diffuser Noryl
- Pump flange Stainless Steel
- Shaft with rotor Stainless Steel
- Mechanical seal Carbon/Ceramic

MOTOR

- Two-Pole induction motor (n = 2850 min-1)
- Insulation Class F
- Protection IP 44

OPERATING CONDITIONS

- Max. working pressure 8 bar
- Liquid temperature up to 35°C
- Ambient temperature up to 40°C
- Total suction lift up to 8 mt.
- Continuous duty



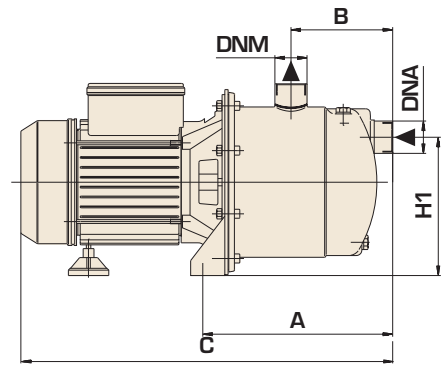
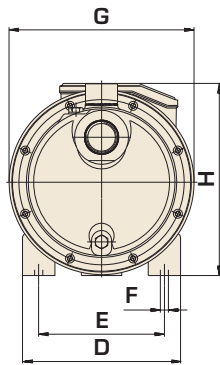
TECHNICAL DATA

TYPE		NOMINAL POWER P2		INPUT POWER P1	AMPERE		Q = CAPACITY										
Single-phase	Three-phase	HP	kW	kW	Single-phase	Three-phase	m³/h	0,6	0,9	1,2	1,5	1,8	2,1	2,4	2,7	3	4,2
230V-50Hz	230/400V-50Hz				1 x 230V	3 x 400V	lt./1'	10	15	20	25	30	35	40	45	50	70
SAM 100 X		1	0,75	1,1	5	2,5	Total head in meters w.c.										
SAM 160 X	SA 160 X	1,6	1,1	1,6	7,5	3,5	H (m)	44	40	38	36	34	32	30	29	27	20
								56	53	50	48	46	44	42	40	36	32

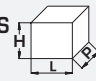
SELFPRIMING JET INOX PUMPS



SAM X



DIMENSIONS AND WEIGHTS

TYPE		DIMENSIONS mm											DIMENSIONS mm 			Weight
Single-phase	Three-phase	A	B	C	D	E	F	G	H	H1	DNA	DNM	P	L	H	Kg
SAM 100 X		210	113	415	176	140	9	206	212	154	1"	1"	210	450	240	12
SAM 160 X	SA 160 X	210	113	432	176	140	9	206	230	154	1 1/4"	1"	210	480	250	15,5