

APPLICATION

Twin impeller centrifugal water pumps to lift clean water and non-aggressive liquids. The main feature are the two opposite impellers which allow higher lifts than in the single-impeller model.

They are qualified for civil and industrial fittings, for water distribution by tank pressure groups and for irrigation in gardening and agriculture.

MATERIALS

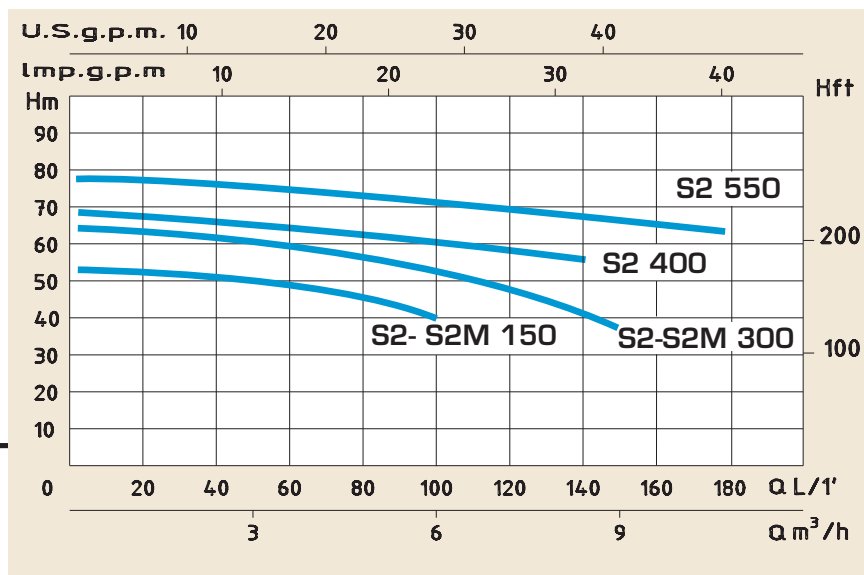
- Pump body Cast Iron
- Motor Support Cast Iron
- Impeller Brass
- Shaft with rotor Stainless Steel
- Mechanical seal Carbon/Ceramic

OPERATING CONDITIONS

- Max. working pressure 10 bar
- Liquid temperature up to 60°C
- Ambient temperature up to 40°C
- Total suction lift up to 7 mt.
- Continuous duty

MOTORS

- Two-Pole induction motor (n = 2850 min⁻¹)
- Insulation Class F
- Protection IP 44



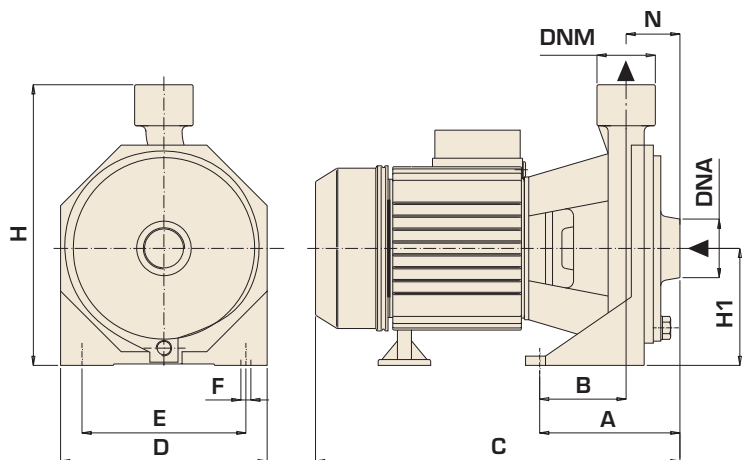
TECHNICAL DATA

TYPE		NOMINAL POWER P2		INPUT POWER P1	AMPERE		Q = CAPACITY										
Single-phase	Three-phase	HP	kW	kW	Single-phase	Three-phase	m³/h	0	1,5	3	6	9	12	15	18	24	30
230V-50Hz	230/400V-50Hz				1 x 230V	3 x 400V	lt./1'	0	25	50	100	150	200	250	300	400	500
S2M 150	S2 150	1,5	1,1	2,3	10,2	4,1	Total head in meters w.c.										
S2M 300	S2 300	3	2,2	2,8		5,2	H (m)	53	51	49	40						
	S2 400	4	3	4,6		7,6		64	62	60	50	37					
	S2 550	5,5	4	5,6		9,5		67	64	63	58,5	52	44				
								78,5	77	76	72	66	59				

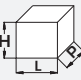
TWIN IMPELLER CENTRIFUGAL PUMPS



S2M



DIMENSIONS AND WEIGHTS

TYPE		DIMENSIONS mm											DIMENSIONS mm 			Weight
Single-phase	Three-phase	A	B	C	D	E	F	H	H1	N	DNA	DNM	P	L	H	Kg
S2M 150	S2 150	115	34	385	210	170	9,5	265	110	81	1 1/4	1"	230	400	280	23
S2M 300	S2 300	115	34	385	210	170	9,5	265	110	81	1 1/4	1"	230	400	280	26
	S2 400	145	50	463	266	212	12	305	135	95,5	1 1/2	1 1/4	275	500	350	41
	S2 550	145	50	463	266	212	12	305	135	95,5	1 1/2	1 1/4	275	500	350	45