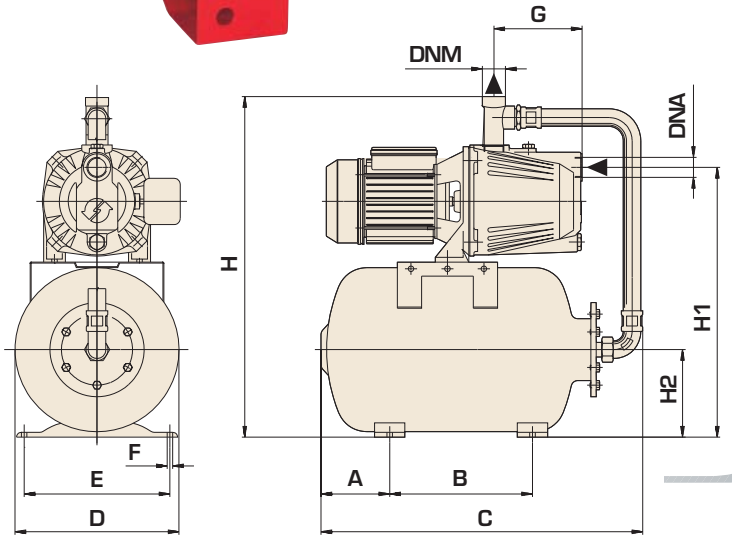
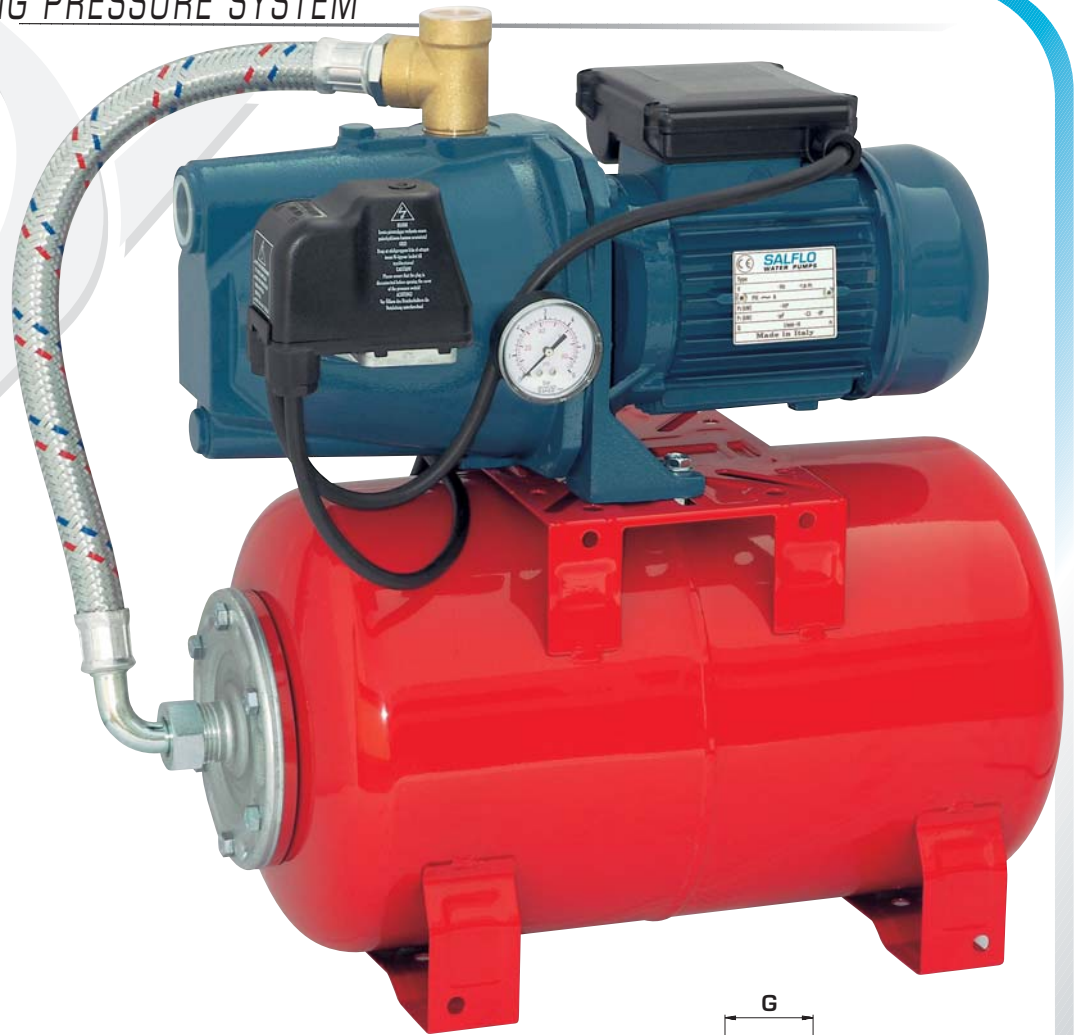
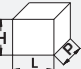


AUTOMATIC WORKING PRESSURE SYSTEM

EASYPRESS



DIMENSIONS AND WEIGHTS

TYPE	DIMENSIONS mm												DIMENSIONS mm 			Weight Kg
	A	B	C	D	E	F	G	H	H1	H2	DNA	DNM	P	L	H	
Single-phase																
EASYPRESS 25	113	235	530	270	240	9	145	560	444	144	1"	1"	280	550	600	22
EASYPRESS 60	200	295	730	385	300	11	150	660	570	210	1"	1"	400	770	720	32

APPLICATION

Automatic high pressure groups coupled with selfpriming jet pumps. They are very silent and reliable and particularly suitable to increase

pressure from a water system, to supply water from wells and in domestic high pressure groups.

COMPONENTS

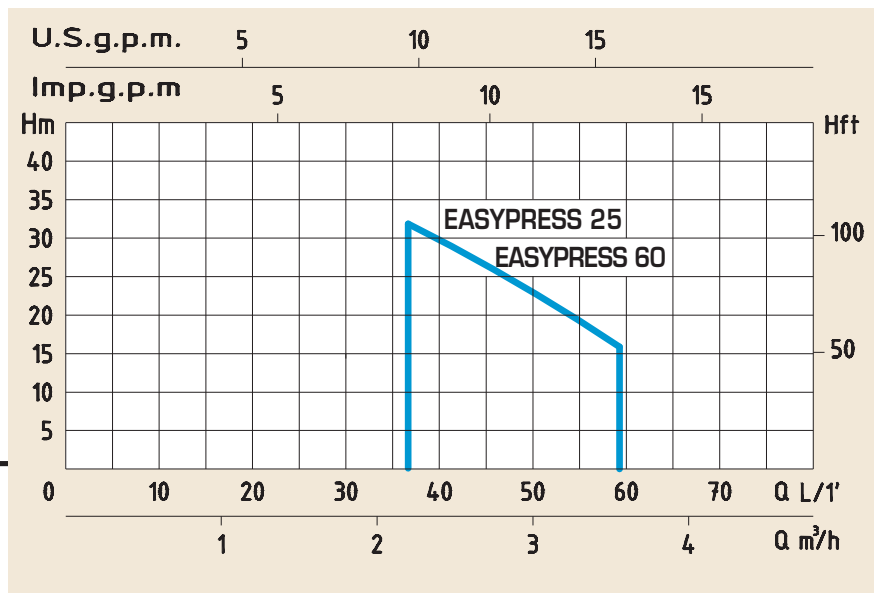
- Membrane tank
- Flexible hose with connection
- Pre-set pressure switch with cable
- Pressure gauge
- Brass connection
- Brass check valve
- Pump SAM100 with inox impeller

MOTOR

- Two-Pole induction motor (n = 2850 min⁻¹)
- Insulation Class F
- Protection IP 44

OPERATING CONDITIONS

- Liquid temperature up to 35°C
- Ambient temperature up to 40°C
- Total suction lift up to 8 mt.
- Adjusted switch on/off pressure 1,6÷3,2 bar
- Continuous duty



TECHNICAL DATA

TYPE	NOMINAL POWER P2		INPUT POWER P1	AMPERE	Adjusted switch on/off pressure	Q = CAPACITY										
	HP	kW				kW	Single-phase	Single-phase	Single-phase	Single-phase	Single-phase	Single-phase	Single-phase	Single-phase	Single-phase	Single-phase
Single-phase						m³/h	0,6	0,9	1,2	1,5	1,8	2,1	2,4	2,7	3	3,6
230V-50Hz				1 x 230V	Bar	lt./1'	10	15	20	25	30	35	40	45	50	60
EASYPRESS 25	1	0,75	1,1	5	1,6 ÷ 3,2	H (m)	45	43	40	38	35	33	30	29	26	22
EASYPRESS 60	1	0,75	1,1	5	1,6 ÷ 3,2	H (m)	45	43	40	38	35	33	30	29	26	22