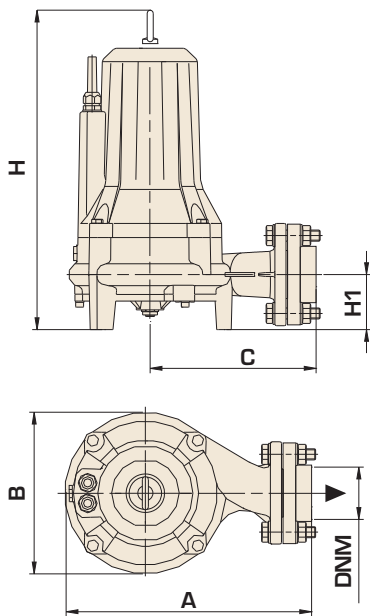
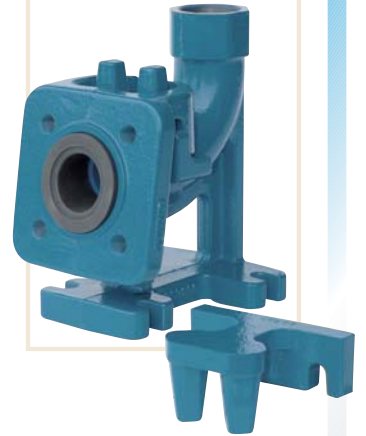


CUTTING SUBMERSIBLE PUMPS

INCLUDED IN THE SINGLE-PHASE MODELS

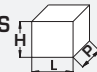


ACCESSORY



CUTTY

DIMENSIONS AND WEIGHTS

TYPE		DIMENSIONS mm						DIMENSIONS mm 			Weight
Single-phase	Three-phase	A	B	C	H	H1	DNM	P	L	H	Kg
CUTTY 200 N		300	206	200	446	72	1" 1/2	220	320	450	35
CUTTY 250 N	CUTTY 250 N-T	305	206	200	468	72	1" 1/2	220	320	450	45

APPLICATION

The Cutty series comprehend electric pump with plunged impeller, this impeller is multi-pipe, open, with a cutting system in the suction. It is particularly suitable in presence of long,

filamentous or fibrous fibres, of destroyable solids also of big dimensions and in biologic liquids or in civil waters.

MATERIALS

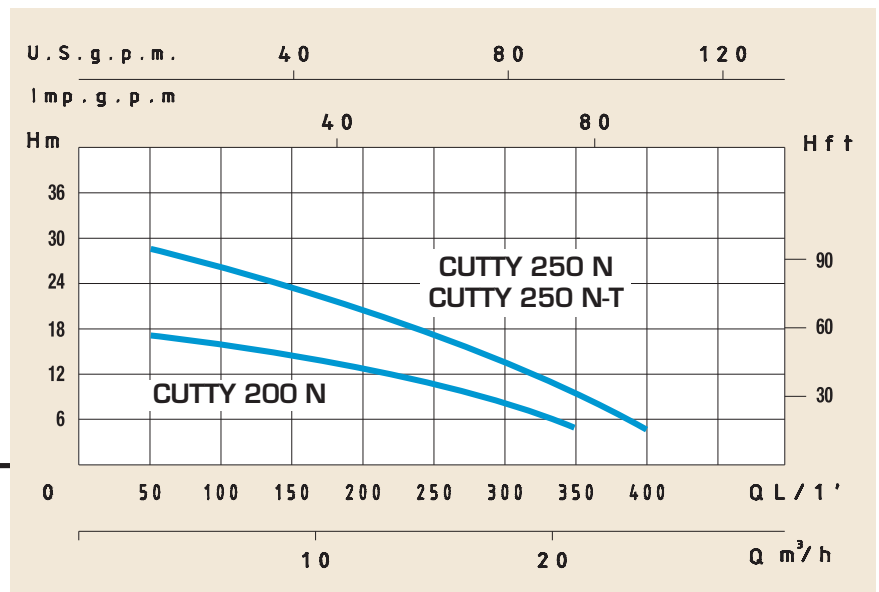
- Motor body Cast Iron
- Pump body Cast Iron
- Impeller Cast Iron
- Shaft with rotor Stainless Steel
- Cutting Stainless Steel
- Double mechanical seal Silicon/Silicon + Ceramic/Graphite

OPERATING CONDITIONS

- Liquid temperature up to 60°C
- Submersion depth 20 mt.
- Min. suction level 80 mm
- Continuous duty

MOTOR

- Insulation Class F
- Protection IP 68
- Thermic protection



TECHNICAL DATA

TYPE		NOMINAL POWER P2		INPUT POWER P1	AMPERE		Q = CAPACITY										
Single-phase	Three-phase	HP	kW	kW	Single-phase	Three-phase	m³/h	3	6	9	12	15	18	21	24	27	30
230V-50Hz	230/400V-50Hz				1 x 230V	3 x 400V	lt./1'	50	100	150	200	250	300	350	400	450	500
CUTTY 200 N		2	1,5	2	8,6		H	17	15	14	11	9	7	5			
CUTTY 250 N	CUTTY 250 N-T	2,5	1,85	2,7	11,5	4,8	(m)	27	25	22	19	16	10	9	5		